

Bend Table			
ID	Direction	Angle	Radius
1	Up	90	1.5
2	Up	90	1.5
3	Up	90	1.5
4	Up	90	1.5



Project  
GSP8 Gemmasta Sander Polisher 8 Inch

GSP81 Large Stainless Steel Tray

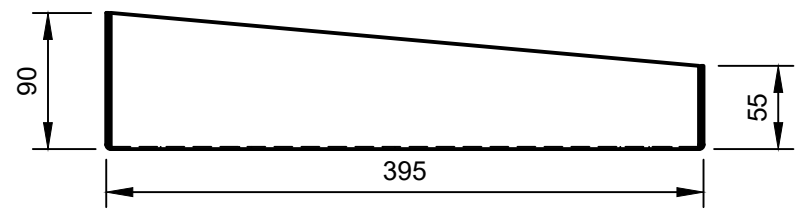
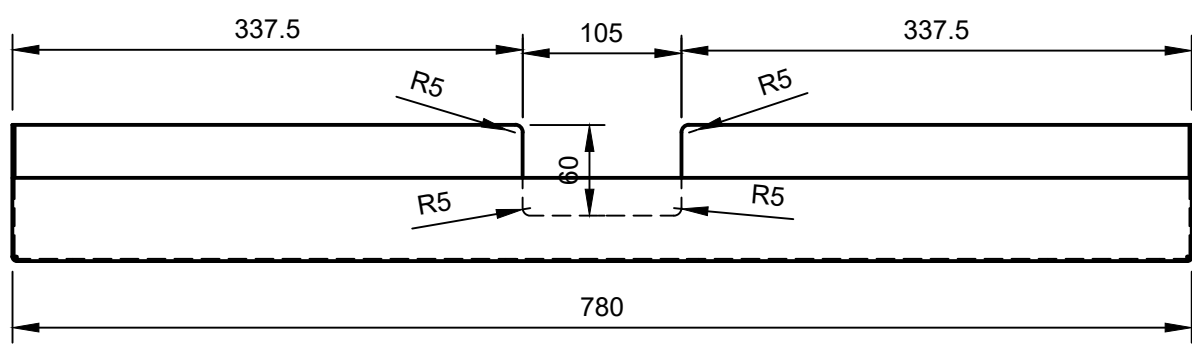
Drawn  
Col Keepers. 15/02/2021

Revision

Sheet  
1/2

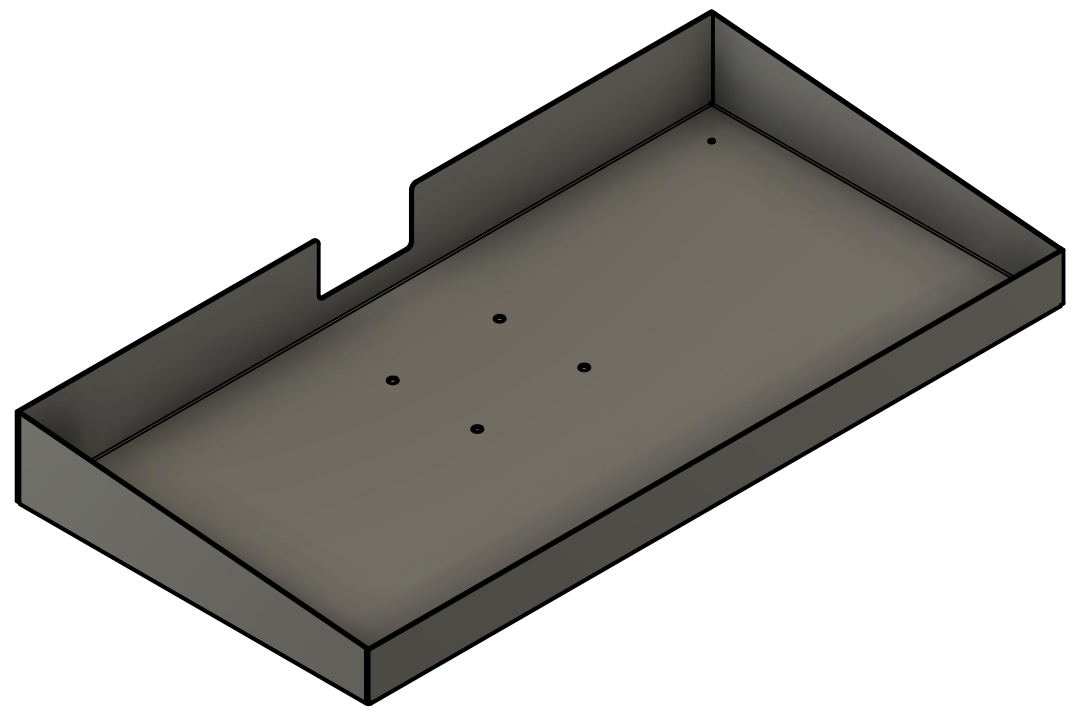
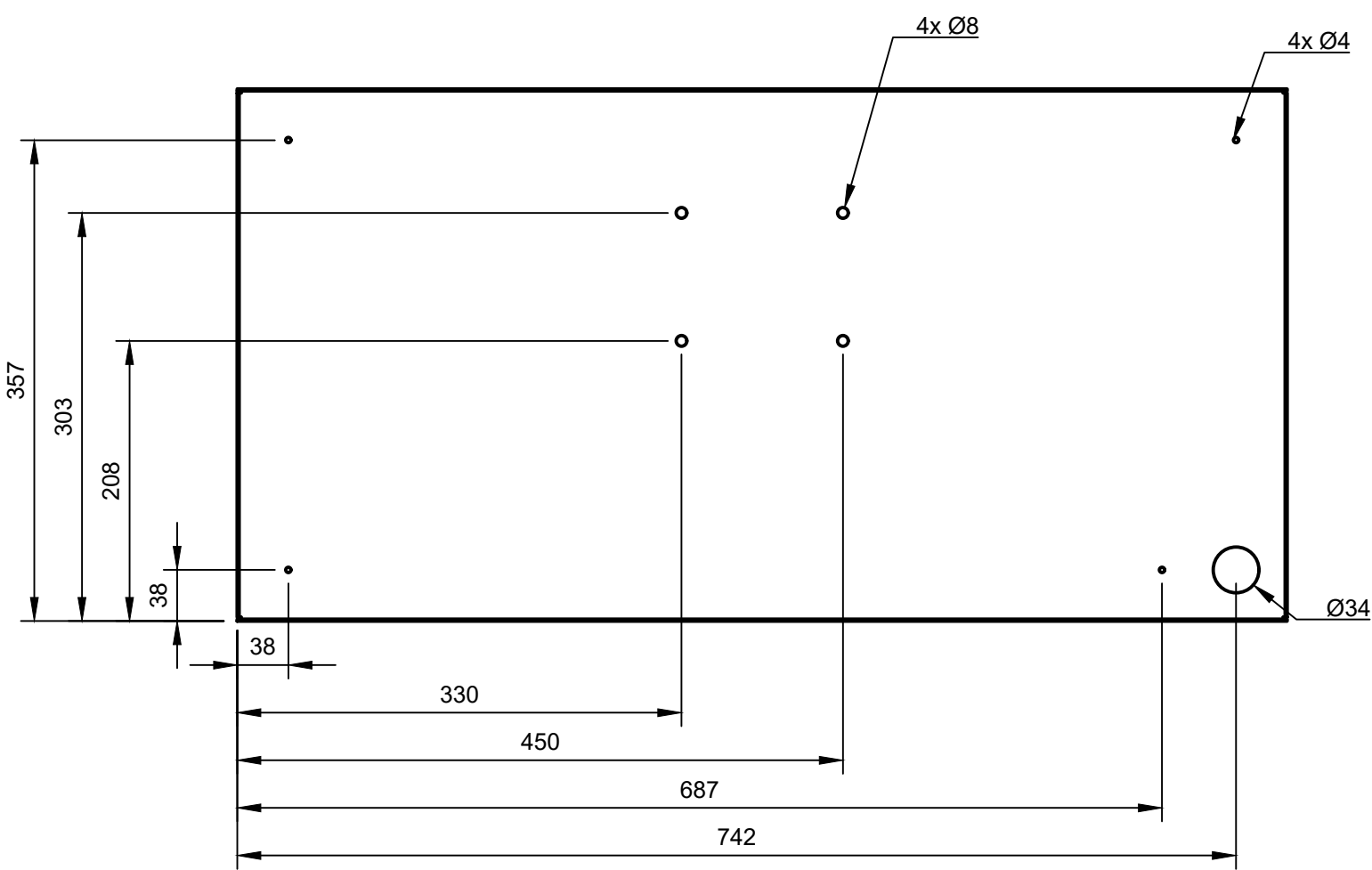
1 2 3 4 5 6 7 8

A



B

C



D

E

F



Project  
GSP8 Gemmasta Sander Polisher 8 Inch

GSP81 Large Stainless Steel Tray

Drawn  
Col Keepers. 15/02/2021

Mat. S/Steel 1.5mm

Revision

Sheet  
2/2

1 2 3 4 5 6 7 8